

GENERAL SPECIFICATION OF D145SW SLIM WING SERVO

1. TECHNICAL VALUE

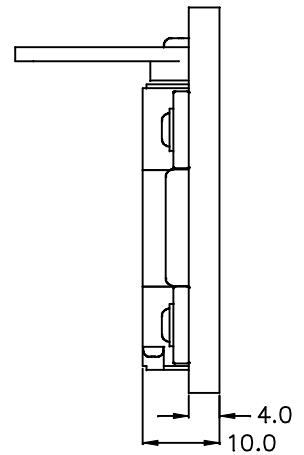
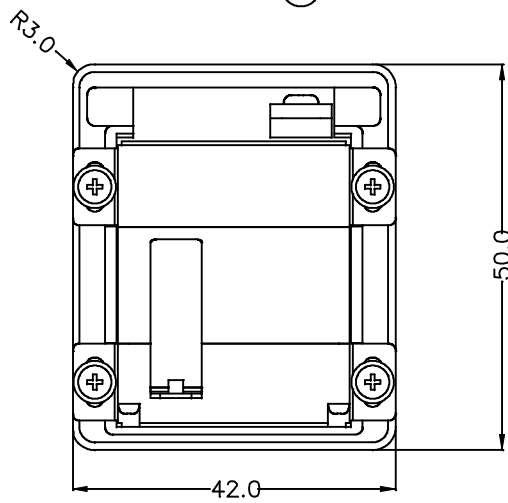
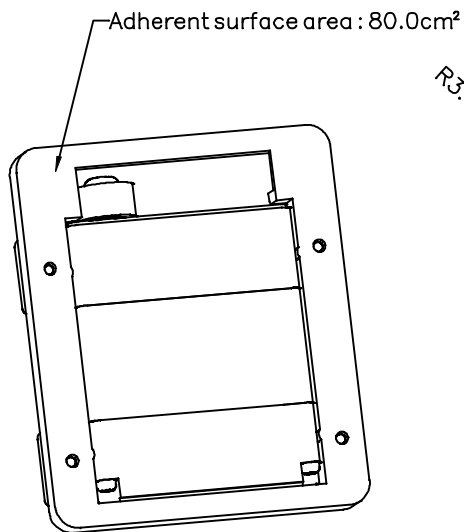
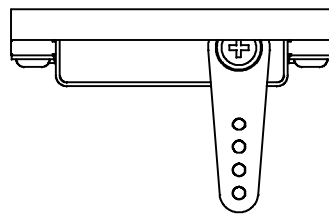
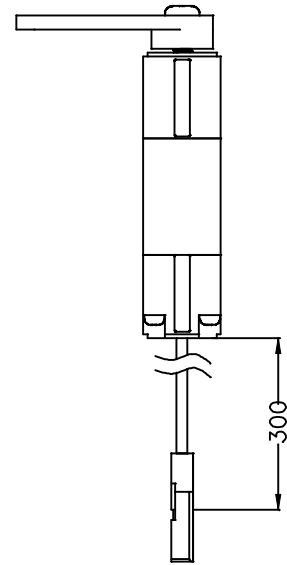
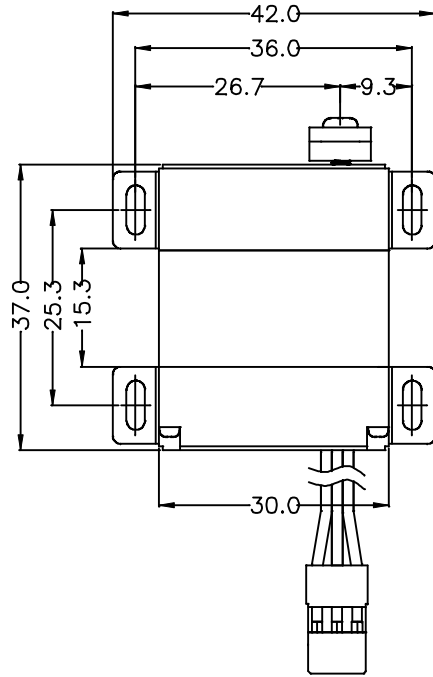
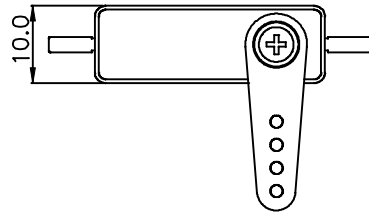
CONTROL SYSTEM	: +PULSE WIDTH CONTROL 1500usec NEUTRAL		
OPERATING VOLTAGE RANGE	: 4.8V TO 7.4V		
OPERATING TEMPERATURE RANGE	: -20°C TO +60°C (-4°F TO +140°F)		
TEST VOLTAGE	: AT 4.8V	AT 6.0V	AT 7.4V
OPERATING SPEED	: 0.21sec/60°	0.17sec/60°	0.14sec/60°
STALL TORQUE	: 3.9kg.cm(54.459oz.in)	4.9kg.cm(68.422oz.in)	6.0kg.cm(83.783oz.in)
STANDING TORQUE	: -		
IDLE CURRENT	: 30mA AT STOPPED	30mA AT STOPPED	30mA AT STOPPED
RUNNING CURRENT	: 120mA	150mA	180mA
STALL CURRENT	: 1,600mA(MAX)	2,000mA(MAX)	2,500mA(MAX)
DEAD BAND WIDTH	: 2usec	2usec	2usec
OPERATING TRAVEL	: 40±5°/ONE SIDE PULSE TRAVELING 400usec		
DIRECTION	: CLOCK WISE/PULSE TRAVELING 1500 TO 1900usec		
MOTOR TYPE	: 3 POLES CARBON BRUSH		
POTENTIOMETER TYPE	: 2 SLIDER/500K CYCLE LONG LIFE/DIRECT DRIVE		
AMPLIFIER TYPE	: DIGITAL AMPLIFIER WITH MOSFET DRIVE		
DIMENSIONS	: 30.0x10.0x37.0mm(1.18x0.39x1.45in)		
WEIGHT	: 24.0g(0.84oz)		
BALL BEARING	: DUAL/MR85,MR74		
GEAR MATERIAL	: 1 METAL-PLASTIC & 4 METAL GEARS		
HORN GEAR SPLINE	: 23 SEGMENTS/ø5.0		
SPLINED HORNS	: M23-L /M23-ML		
SERVO MOUNTING	: ONLY D145SW TRAY SET		
CONNECTOR WIRE LENGTH	: FLAT TYPE/300mm(11.81in)		
CONNECTOR WIRE STRAND COUNTER	: 40EA		
CONNECTOR WIRE GAUGE	: 22AWG		

2. FEATURES

DURABLE STEEL GEARS WITH DUAL BALL BEARING
ULTRA SLIM SIZED

3. APPLICATIONS

GLIDER WING



<Unit : mm>

HITEC RCD KOREA INC.